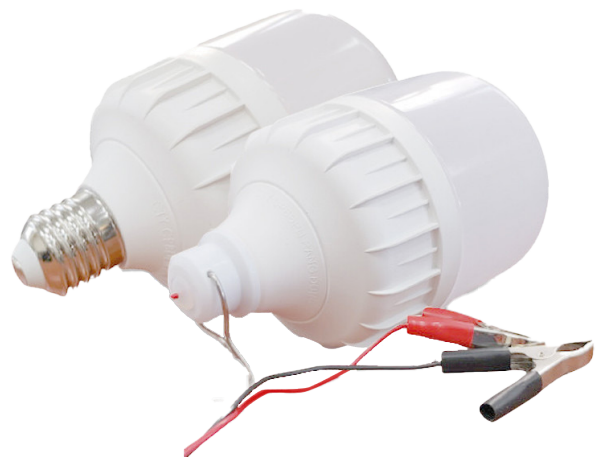


## DC LED BULB FISHING LIGHT

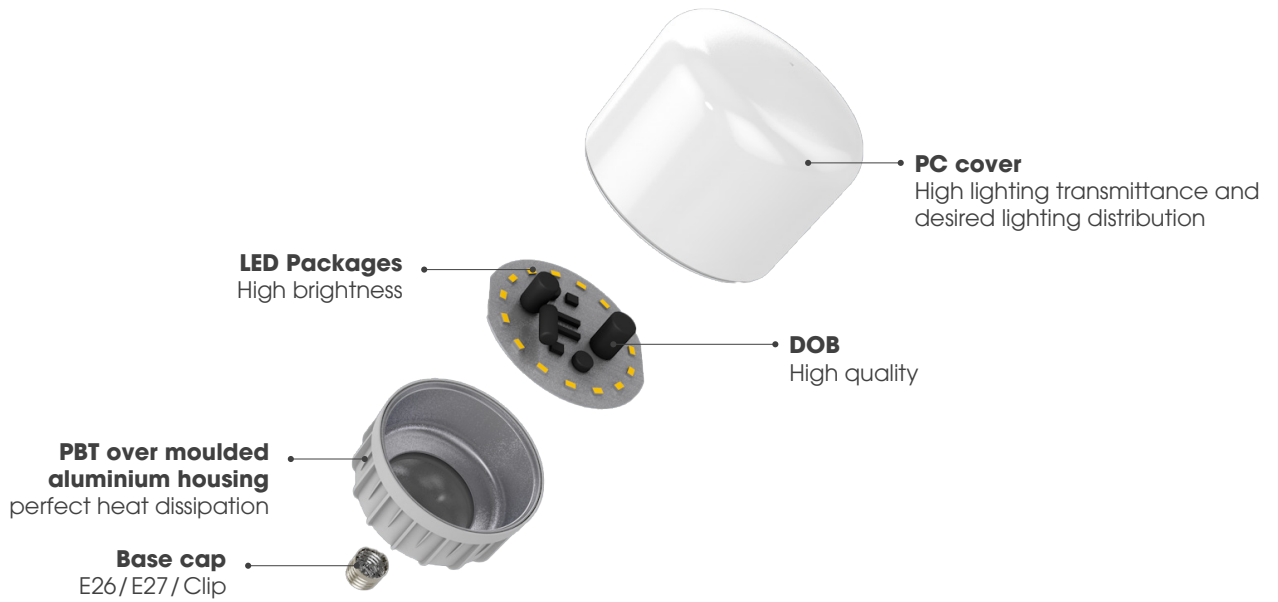


### \* Product features:

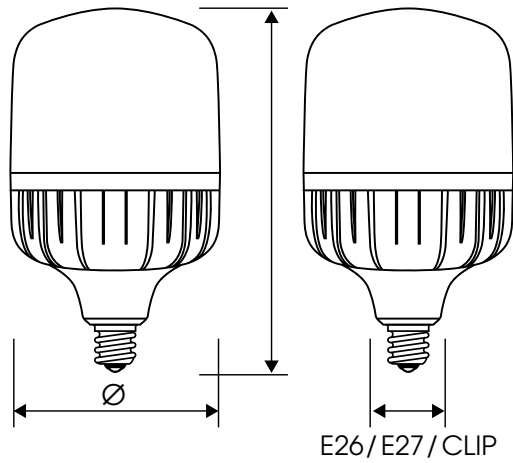
- High-quality LEDs provided by Samsung/ Seoul Semiconductor/ Nichia/ Lumiled with excellent performance
- Compatible with 12-volt or 24-volt systems
- High luminous efficacy up to 90 lm/W
- No interference with maritime communication systems
- PBT over moulded aluminium housing with perfect heat dissipation
- PC cover with high lighting transmittance and desired lighting distribution
- IP65
- Long lifespan: 20,000 hours, saving the maintenance cost



## PRODUCT DETAILS



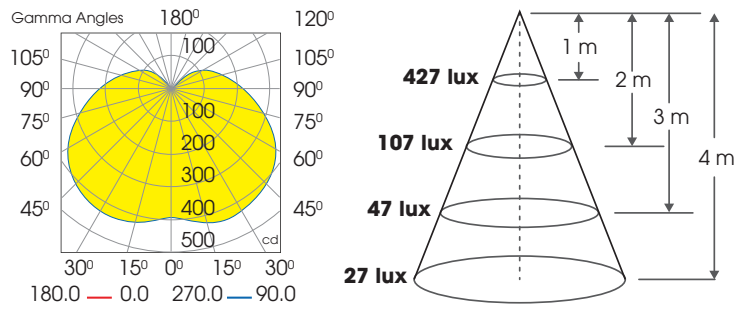
## PRODUCT SPECIFICATIONS



Model	Dimension ØxH (mm)	Power (W)	Voltage (V)	Luminous flux (lm)	Luminous Efficacy (lm/W)	CCT (K)	CRI (Ra)	Beam angle (°)	IP	Lifespan (hrs)
TR100.DC/30W	100x170	30	12 & 24 VDC	2600	95	6500	80	180	65	20,000

**Customizable:** Power, Voltage, lm/W, CCT (3000/4000/5000/5700/6500K), lifespan, etc.

## LUMINOUS INTENSITY DISTRIBUTION



## PACKING AND TRANSPORTATION



Type of lamps	Quantity in master box (pcs)	Estimated quantity / 20'DC (pcs)	Estimated quantity / 40'HC (pcs)
TR100.DC/30W	1	15 396	35 352

Customizable according to customer's request



Exported market: South Korea, EU, etc



### RANG DONG LIGHT SOURCE AND VACUUM FLASK JOINT STOCK COMPANY

Add: 87- 89 Ha Dinh Street, Thanh Xuan, Hanoi, Vietnam

Tel: (84-24) 3 858 4310 / 3 858 4165

Fax: (84-24) 3 858 5038

Email: export@rangdong.com.vn



Specifications are subject to change without prior notice